

Model: **CS-1732A**  
2 Port USB KVM™ Switch

Model: **CS-1734A**  
4 Port USB KVM™ Switch



CS-1734 Rear View

Our KVM (Keyboard, Video, Mouse and Peripheral) Series integrates a fully functioning USB hub into the KVM switch thereby centralizing control of PC and peripheral functions from a single console. Our new KVM multi-peripheral sharing technology is changing the way ATEN customers utilize the power of their PC.

## Features

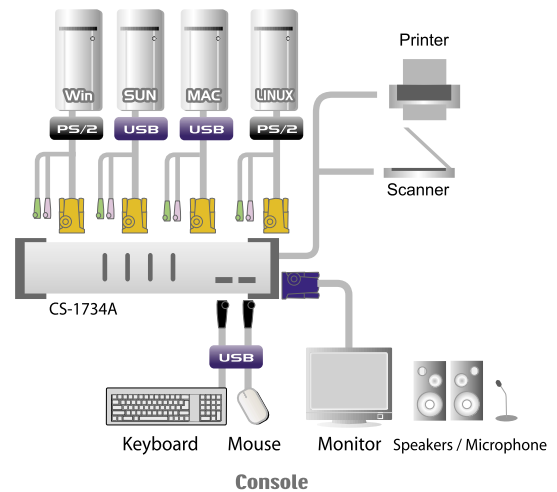
- Dual interface - supports computers with PS/2 or USB keyboards and mice
- Supports PC (Windows, Linux and most others), Mac and Sun systems
- One console controls 2 to 4 computers and 2 additional USB devices
- Bidirectional switching and flexible interoperability; switch permits independent PC, independent peripheral, and independent audio function, regardless of KVM switch focus
- Buzzer ON/OFF via hotkey
- Complete keyboard and mouse emulation for error free booting and realtime switching
- Easy installation - no software required
- Superior video quality; 2048 x 1536; DDC2B
- A life time of firmware upgrading
- Audio enabled

## Specifications

Function	CS-1732A	CS-1734A		
Computer Connections	2	4		
Computer Port Selection	Hotkey, Push Button			
USB Port/Audio Port Selection	Hotkey			
Connectors	Console	Keyboard	1 x USB Type A Female (White)	
		Video	1 x HDB 15 Female (Blue)	
		Mouse	1 x USB Type A Female (White)	
		Speaker	1 x Mini Stereo Jack Female (Green)	
		Microphone	1 x Mini Stereo Jack Female (Pink)	
	Computer	Keyboard/Video/ Mouse	2 x SPHD15 Female (Yellow)	4 x SPHD15 Female (Yellow)
		Speaker	2 x Mini Stereo Jack Female (Green)	4 x Mini Stereo Jack Female (Green)
		Microphone	2 x Mini Stereo Jack Female (Pink)	4 x Mini Stereo Jack Female (Pink)
	USB Hub	2 x USB Type A Female (Black)		
	Firmware Upgrade	1 x RJ11 Soclet (Black)		
	Power	1 x DC Jack (Spare)		
	Switch	Firmware Upgrade 1 x Slide Switch		
LEDs	On Line/ Selected	2 (Orange)	4 (Orange)	
	USB Link	2 (Green)	4 (Green)	
Emulation	Keyboard	USB		
	Mouse	USB		
Video	2048 x 1536; DDC2B			
Scan Interval	1-99 Seconds (5 Seconds Default)			
Power Consumption	DC5V, 1.2W	DC5V, 1.25W		
Environment	Operating Temperature	0°~50°C		
	Storage Temperature	-20°~60°C		
	Humidity	0~80% RH, NC		
Physical Properties	Housing	Metal		
	Weight	0.49 kg	0.7 kg	
	Dimensions (L x W x H)	14 x 8.5 x 5.5 cm	21 x 8.5 x 5.5 cm	

## Diagram

Supports computers that are equipped with audio & USB Peripheral



## Accessories



- 1.2m USB KVM Cables x 2 (CS-1732A) (pic. 1)
- 1.2m USB KVM Cables x 2 / 1.8m USB KVM Cables x 2 (CS-1734A) (pic.1)
- 1.8m Firmware Upgrade Cable (pic.2)

## Optional Equipment

- **PS/2 KVM Cable:**  
We offer varying lengths: 1.2m (2L-5301P), or 1.8m (2L-5302P) 3m (2L-5303P), 4m (2L-5304P) and 5m (2L-5305P) PS/2 KVM cable, please refer to page P65-N
- **USB KVM cable**  
We offer varying lengths: 1.2m (2L-5201U), 1.8m (2L-5202U), 3m (2L-5203U) and 5m (2L-5205U) USB KVM cable please refer to page P65-O
- **A DCSV power adapter is available-requires separate purchase**

